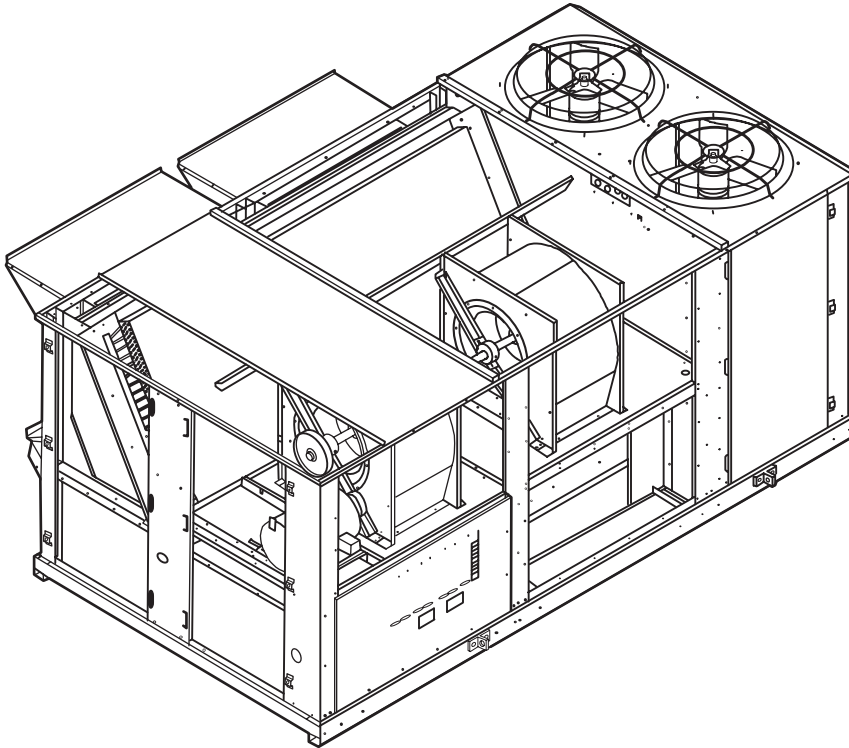


558G/H SOURCE GUIDE



558G/H240-360



558G/H
Standard Efficiency
Electric Cooling/Electric Heating
Rooftop Units
20-30 Tons

Features and Benefits

- Large Hinged Access Panels
- Dual Semi-Hermetic Carlyle Compressors
- Fixed Blower Drive
- Lifting Lugs
- Dual Refrigerant Circuits
- Sloped, Aluminized Steel Condensate Pans
- Integrated Economizer with Direct Drive Actuator
- Pre-Painted Galvanized Steel Panels
- Low Outdoor Temperature Cooling to 35°F as Standard
- Two-Stage Cooling
- Anti-Microbial, Tuff Skin Rx Insulation
- Single Point Electrical Connection
- Stand Alone Diagnostic
- Solid-State Controls
- Two-Inch Disposable-Type Return Air Filters
- 1-Year Product Warranty
- Optional 4-Year Compressor Warranty
- Alternate Supply Fan Motor Options

Physical Data

558G VERTICAL SUPPLY AND RETURN

MODEL	NOM. TONS	ARI* COOLING PERFORMANCE		NOMINAL CFM	DIMENSIONS (INCHES)			WEIGHT
		BTUH	EER		W	H	D	
558G-X240	20	254,000	10.4	8000	88 1/4	73 1/4	165 1/4	4016
558G-X300	25	302,000	9.7	10000	88 1/4	73 1/4	165 1/4	4102
558G-X324	27	337,000	8.8	11000	88 1/4	73 1/4	165 1/4	4102
558G-X360	30	373,000	8.6	12000	88 1/4	73 1/4	165 1/4	4102

* Air-Conditioning & Refrigerant Institute.

EER=Energy Efficiency Ratio

NOTES:

1. Rated in accordance with ARI Standard 340/360-93.
2. Ratings are net values, reflecting the effects of circulating fan heat. Ratings are based on Cooling standards of 80°F db, 67°F wb indoor entering-air temperature and 95° db air entering outdoor unit.

558H HORIZONTAL SUPPLY AND RETURN

MODEL	NOM. TONS	ARI* COOLING PERFORMANCE		NOMINAL CFM	DIMENSIONS (INCHES)			WEIGHT
		BTUH	EER		W	H	D	
558H-X240	20	254,000	10.4	8000	88 1/4	73 1/4	165 1/4	4016
558H-X300	25	302,000	9.7	10000	88 1/4	73 1/4	165 1/4	4102
558H-X324	27	337,000	8.8	11000	88 1/4	73 1/4	165 1/4	4102
558H-X360	30	373,000	8.6	12000	88 1/4	73 1/4	165 1/4	4102

* Air-Conditioning & Refrigerant Institute.

EER=Energy Efficiency Ratio

NOTES:

1. Rated in accordance with ARI Standard 340/360-93.
2. Ratings are net values, reflecting the effects of circulating fan heat. Ratings are based on Cooling standards of 80°F db, 67°F wb indoor entering-air temperature and 95°F db air entering outdoor unit.





residential/ hvac commercial



[residential hvac](#) / [commercial hvac](#) / [about us](#) / [what's new](#)

Welcome to Barker Mechanical Services Inc. Our HVAC firm has been serving the San Francisco Bay Area for over 50 years and provides residential and commercial air conditioning and heating installation, maintenance and repair.

We look forward to serving your heating & cooling needs!

Joe Barker, President

6800 Sierra Court Suite L
Dublin, CA 94568

925-560-0280 phone
925-560-0288 fax

info@barkermech.com email