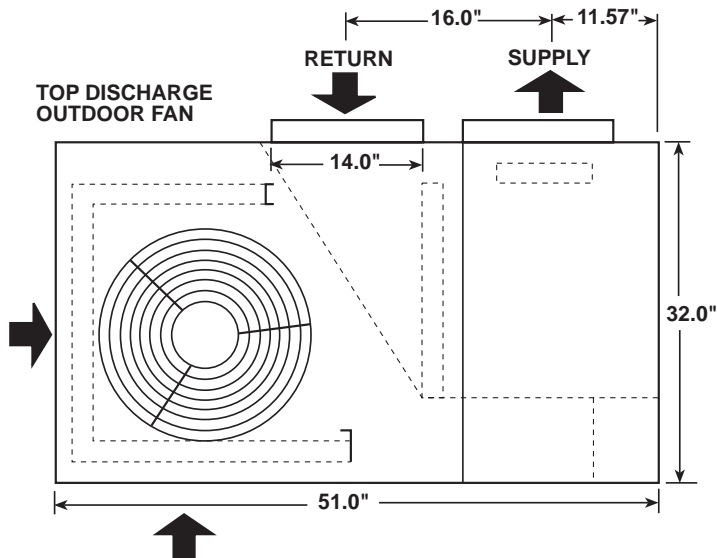
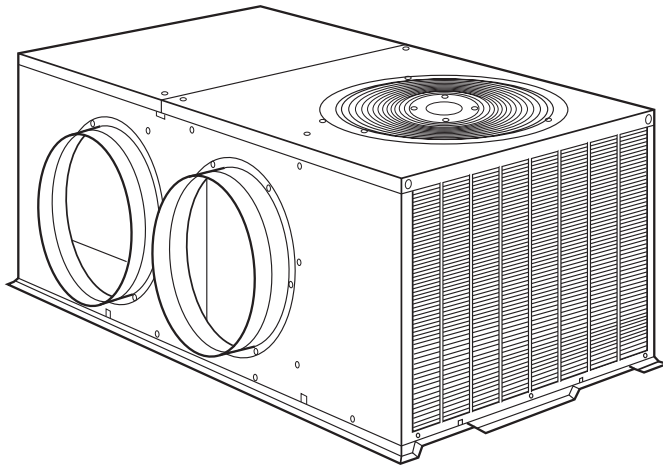


564A SOURCE GUIDE



CABINET HEIGHTS						
INCHES	024	030	036	042	048	060
22	X	X	X			
30				X	X	
34						X

Performance Data

MODEL	NET COOLING CAPACITY	SEER	STANDARD CFM	ESP (in. wg)	SOUND (bels)	APPROX. SHIP WT. (lbs)
024	22,800	10	800	0.65	8.0	222
030	30,000	10	1000	0.65	8.4	236
036	34,200	10	1200	0.65	8.4	250
042	40,000	10	1400	0.60	8.4	297
048	46,000	10	1600	0.65	8.4	310
060	57,000	10	2000	0.65	8.4	350



564A Standard Efficiency Packaged Air Conditioner 2 - 5 Tons

Features

- Easy Installation Design
- Starter Collars
- Drop-In Electric Heaters
- Single Point Hook-Up
- One Foot Print
- Built-In Hand Holds
- Dedicated Side Discharge
- Light-Weight Construction
- Weather Armor Cabinet
- Corrosion-Proof Base Pan
- Sloped Drain Pan
- Through-the-top Service
- 2-5 Year Extended Warranty
- Programmable and Non-Programmable Thermostats

**SIZING AND
SELECTION CHART**

Physical Data

MODEL 564A	024	030	036	042	048	060
Operating Weight (lbs)	222	236	250	297	310	350
Compressor Type	Reciprocating					
Refrigerant	R-22					
Charge (lb)	2.6	3.9	4.7	4.4	6.1	7.5
Refrigerant Metering Device	Acutrol™ System					
Condenser Coil	Copper Tubes, Aluminum Plate Fins					
Rows...Fins/in. Total Face Area (sq ft)	1...17 6.7	1...17 7.9	2...17 6.2	1...17 11.1	2...17 8.6	2...17 10.7
Condenser Fan Motor	Propeller					
Cfm	1600	2000	2000	2600	2600	2800
Nominal Rpm	825	1100	1100	1100	1100	1100
Motor Hp	1/8	1/4	1/4	1/4	1/4	1/4
Diameter (in.)	20	20	20	20	20	20
Evaporator Coil	Copper Tubes, Aluminum Plate Fins					
Rows...Fins/in. Total Face Area (sq ft)	2...15 2.8	3...15 2.8	3...15 3.1	3...15 3.9	3...15 4.3	4...15 4.9
Evaporator Fan Motor	Direct Drive					
Blower Motor Size (in.)	10 x 8	10 x 8	10 x 8	10 x 9	10 x 9	10 x 9
Nominal Cfm	800	1000	1200	1400	1600	2000
Rpm Range	550-1000	550-1000	800-1050	800-1050	1000-1100	950-1100
Number of Speeds	3	3	3	3	2	3†
Factory Speed Setting	Low	Med	Low	Med	Low	Low
Motor Hp	1/4	1/4	1/2	1/2	3/4	1
Connecting Duct Sizes	Round					
Supply Air (in.)	14					Square
Return Air (in.)	14					13.9 x 13.9
						13.9 x 27.8
Field-Supplied Return Air Filter* Throwaway (in.)	24 x 24	24 x 24	24 x 24	24 x 24	24 x 30	24 x 30

* Required filter sizes shown are based on the ARI (Air Conditioning and Refrigeration Institute) rated airflow at a velocity of 300 ft/min for throwaway type or 450 ft/min for high capacity type. Recommended filters are 1-in. thick.
† 460-v motors are 2-speed only.

Electrical Data — 564A

UNIT 564A	NOMINAL VOLTAGE (V-Ph-Hz)	VOLTAGE RANGE		COMPRESSOR		OFM FLA	IFM FLA	ELECTRIC HEAT		POWER SUPPLY		DISCONNECT SIZE	
		MIN	MAX	RLA	LRA			NOMINAL kW	FLA	MCA	MOCP	FLA	LRA
024	208/230-1-60	187	254	10.9	61.0	0.9	2.4	—/—	—/—	16.9/16.9	20/20	16/16	68
								3.8/5.0	18.1/20.8	25.6/29.0	30/30	24/27	
								7.5/10.0	36.1/41.7	48.1/55.1	50/60	44/51	
030	208/230-1-60	187	254	15.2	69.4	1.5	2.4	—/—	—/—	22.9/22.9	30/30	22/22	79
								3.8/5.0	18.3/20.8	25.6/29.0	30/30	24/27	
								7.5/10.0	36.1/41.7	48.1/55.1	50/60	44/51	
								11.3/15.0	54.2/62.5	70.7/81.1	80/90	65/75	
036	208/230-1-60	187	254	15.9	86.0	1.5	2.8	—/—	—/—	24.2/24.2	30/30	23/23	96
								3.8/5.0	18.1/20.8	26.1/29.5	30/30	24/27	
								7.5/10.0	36.1/41.7	48.6/55.6	50/60	45/51	
								11.3/15.0	54.2/62.5	71.2/81.6	80/90	66/75	
								15.0/20.0	72.2/83.3	93.6/107.7	100/110	86/99	
042	208/230-1-60	187	254	18.5	97.6	1.5	2.8	—/—	—/—	27.4/27.4	35/35	26/26	107
								3.8/5.0	18.1/20.8	27.4/29.5	35/35	26/27	
								7.5/10.0	36.1/41.7	48.6/55.6	50/60	45/51	
								11.3/15.0	54.2/62.5	71.2/81.6	80/90	66/75	
								15.0/20.0	72.2/83.3	93.8/107.7	100/110	86/99	
048	208/230-1-60	187	254	21.3	107.0	1.5	4.2	—/—	—/—	32.3/32.3	40/40	31/31	121
								3.8/5.0	18.1/20.8	32.3/32.3	40/40	31/31	
								7.5/10.0	36.1/41.7	50.4/57.3	60/60	46/53	
								11.3/15.0	54.2/62.5	72.9/83.4	80/90	67/77	
								15.0/20.0	72.2/83.3	95.5/109.4	100/110	88/101	
048	208/230-3-60	187	254	12.3	73.0	1.5	4.2	—/—	—/—	21.1/21.1	25/25	21/21	87
								3.8/5.0	10.4/12.0	21.1/21.1	25/25	21/21	
								7.5/10.0	20.8/24.1	31.3/35.3	35/40	29/32	
								11.3/15.0	31.3/36.1	44.3/50.4	45/60	41/46	
								15.0/20.0	41.7/48.1	57.4/65.4	60/70	53/69	
060	230-1-60	207	254	26.9	128.0	1.4	6.2	—	—	41.2	50	40	141
								5.0	20.8	41.2	50	40	
								10.0	41.7	59.8	60	55	
								15.0	62.5	85.9	90	79	
								20.0	83.3	111.9	125	103	
060	208/230-3-60	187	254	17.7	128.0	1.4	6.2	—/—	—/—	29.7/29.7	35/35	29/29	146
								3.8/5.0	10.4/12.0	29.7/29.7	35/35	29/29	
								7.5/10.0	20.8/24.1	33.8/37.8	35/40	31/35	
								11.3/15.0	31.3/36.1	46.8/52.9	50/60	43/49	
								15.0/20.0	41.7/48.1	59.9/67.9	60/70	55/62	
060	460-3-60	414	508	9.0	63.0	0.7	3.2	—	—	15.2	20	15	71
								5.0	6.0	15.2	20	15	
								10.0	12.0	19.0	20	18	
								15.0	18.0	26.6	30	24	
								20.0	24.1	34.1	35	31	





residential/ hvac commercial



[residential hvac](#) / [commercial hvac](#) / [about us](#) / [what's new](#)

Welcome to Barker Mechanical Services Inc. Our HVAC firm has been serving the San Francisco Bay Area for over 50 years and provides residential and commercial air conditioning and heating installation, maintenance and repair.

We look forward to serving your heating & cooling needs!

Joe Barker, President

6800 Sierra Court Suite L
Dublin, CA 94568

925-560-0280 phone
925-560-0288 fax

info@barkermech.com email