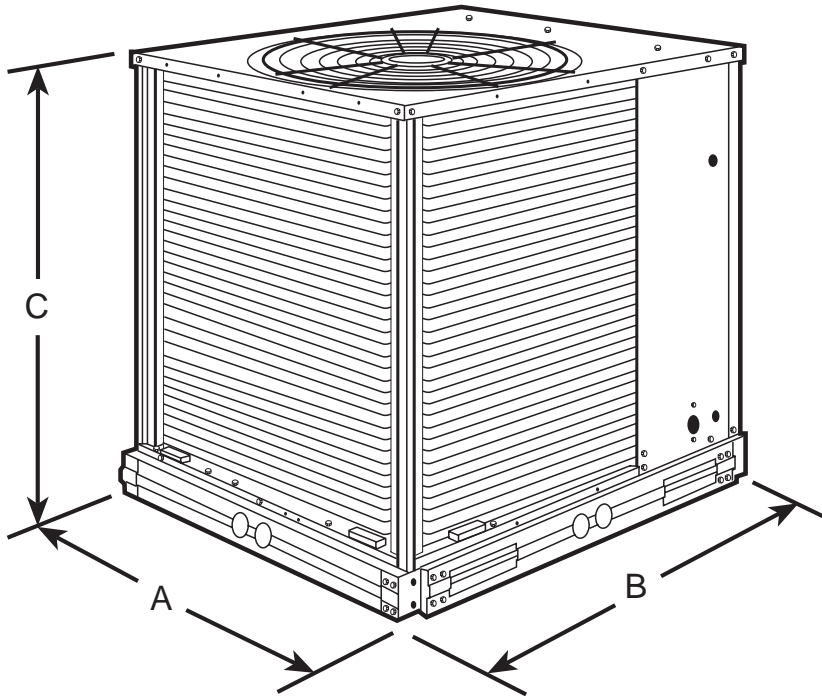


569C SOURCE GUIDE



569C Split System Condensing Units 6,7.5 & 10 Tons



SIZE 569C	A	B	C
569C072	3' - 3-1/2"	3' - 10-9/16"	2' - 9-5/16"
569C090,120	3' - 3-1/2"	3' - 10-9/16"	3' - 5-7/16"

Features

- System Application Flexibility
- Matches Bryant's Indoor Air Handlers and DX Coils
- Highly Reliable Hermetic Compressors
- Years of Trouble-Free Operation

Factory Options

- Copper Fin Coil
- Precoated Aluminum Fin Coil

Field Accessories

- Gauge Package
- Winter-Start Relay Package
- Hail Guards
- Coil Guards
- Low Ambient Controls
- Thermostats

**SIZING AND
SELECTION CHART**

CAPACITY RATINGS

UNIT 569C	INDOOR UNIT	EVAPORATOR AIRFLOW (Cfm)	SYSTEM		CONDENSING UNIT ONLY	
			NET CAP. (Btuh)	EER	CAPACITY (Btuh)	EER
072	524A072	2400	71,000	9.8	75,000	11.1
	524A090	2400	74,000	9.9		
090	524A072	2400	84,000	9.1	97,000	10.7
	524A090	3000	90,000	9.3		
	524A120	3450	93,000	9.3		
120	524A120	4000	120,000	9.0	129,000	10.2
	524A150	4650	124,000	9.3		

ELECTRICAL DATA

UNIT 569C	NOMINAL VOLTAGE (V-Ph-Hz)	VOLTAGE RANGE		COMPR		OFM	POWER SUPPLY	
		Min	Max	RLA	LRA	FLA	MCA	MOCP
072	208/230-3-60	187	254	19.0	142	1.9	25.6	35
	460-3-60	414	508	9.5	72	1.0	12.9	15
090	208/230-3-60	187	254	25.0	185	3.1	34.4	45
	460-3-60	414	508	12.4	89	1.4	16.9	20
120	208/230-3-60	187	254	34.5	239	3.1	46.2	60
	460-3-60	414	508	17.0	119	1.4	22.7	30

SPECIFICATIONS

BASE UNIT	569C072	569C090	569C120
NOMINAL CAP. (tons)	6	7-1/2	10
OPERATING WT. (lb)	340	370	395
RIGGING WEIGHT (lb)	390	420	445
REFRIGERANT* Operating Charge, Approx. (lb)	R-22 10		
UNIT VOLUME (cu ft)	35.5	44.0	44.0
COMPRESSOR	Reciprocating, Hermetic		
Qty...Type	1...SF5572E	1...SF5594E	1...SF5612E/F
Qty Cylinders (ea)	4	4	4
Speed (rpm)	3450	3450	3450
Oil Charge (oz) (ea)	65	65	65
CONDENSER AIR FAN	Propeller; Direct Drive		
Qty...Rpm	1...850	1...1100	1...1100
Diameter (in.)	26	26	26
Motor Hp (NEMA)	1/3	3/4	3/4
Watts	444	976	960
Nominal Cfm Total	3800	6500	7000
CONDENSER COIL	Enhanced Copper Tubes, Aluminum Lanced Fins		
Face Area (sq ft)	12.24	18.0	20.50
Storage Capacity (lb)†	11.26	16.56	18.87
CONNECTIONS (sweat)			
Suction (in.)	1-1/8	1-1/8	1-1/8
Liquid (in.)	1/2	1/2	5/8
CONTROLS	Pressurestat Settings (psig)		
High Cutout	426 ± 7		
Cut-in	320 ± 20		
Low Cutout	7 ± 3		
Cut-in	22 ± 5		

* Unit is factory supplied with holding charge only.

† Storage capacity of condenser coil with coil 80% full of liquid R-22 at 124F.

NOTE: Unit 569C120 has one step of unloading. Full load is 100% of capacity, and one step of unloading is 67% capacity. Unit 569C120 has the following unloader settings: Load is 70 ± 1 psig and unload is 60 ± 2 psig.





residential/ hvac commercial



[residential hvac](#) / [commercial hvac](#) / [about us](#) / [what's new](#)

Welcome to Barker Mechanical Services Inc. Our HVAC firm has been serving the San Francisco Bay Area for over 50 years and provides residential and commercial air conditioning and heating installation, maintenance and repair.

We look forward to serving your heating & cooling needs!

Joe Barker, President

6800 Sierra Court Suite L
Dublin, CA 94568

925-560-0280 phone
925-560-0288 fax

info@barkermech.com email