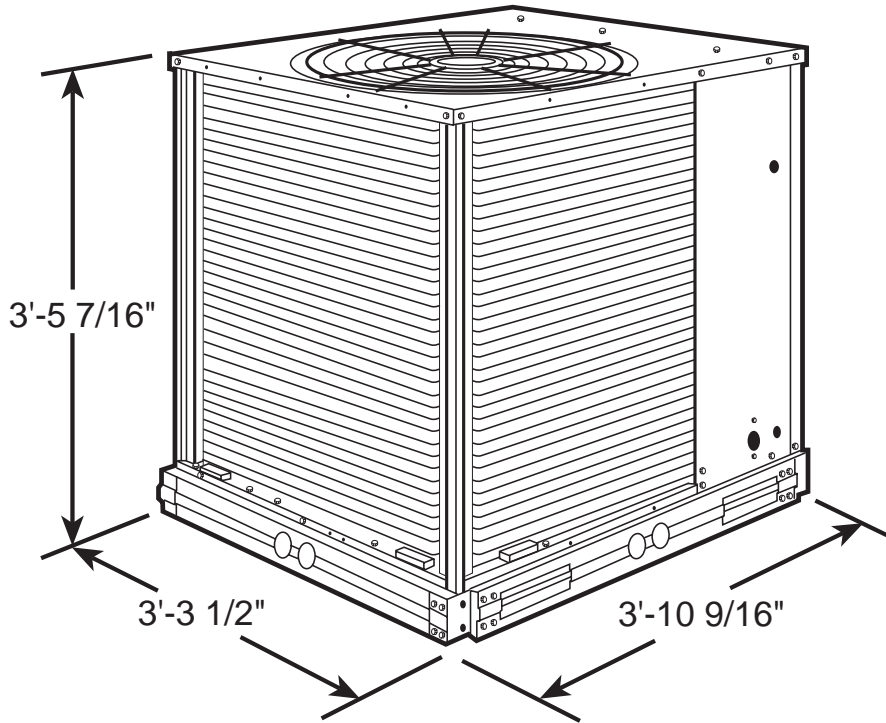


575A SOURCE GUIDE



575A Split System Heat Pump Units 7.5 Tons



Features

- Custom-Matched to Bryant's Innovative Indoor Units for Superior System Performance
- Semi-Hermetic Compressor Engineered for Long Life and Durability
- Hi and Low Pressure Switches
- TIME GUARD® II Short Cycling Protection
- Liquid Line Service Valve
- Galvanized Steel Cabinet with Baked Enamel Finish
- Full Perimeter Base Rails
- Standard 1-Year Warranty
- Standard 5-Year Compressor Warranty
- Time/Temperature Defrost System Automatically Defrosts Outdoor Coil for Maximum Operating Efficiency

**SIZING AND
SELECTION CHART**

CAPACITY RATINGS

OUTDOOR UNIT	INDOOR UNIT 524A	AIRFLOW (cfm)	COOLING		HEATING				SOUND RATING (Bels)
			NET CAP. (Btuh)	EER	HI-TEMP		LOW-TEMP		
					NET CAP. (Btuh)	COP	NET CAP. (Btuh)	COP	
575A090	090	3000	86,000	9.8	83,000	3.0	46,000	2.0	9.2

ELECTRICAL DATA - OUTDOOR UNITS

UNIT	V-PH-HZ	VOLTAGE RANGE		COMPR		FAN MOTORS			POWER SUPPLY	
		MIN	MAX	LRA	RLA	NO. OF FANS	FLA		MIN CKT AMPS	MOCP (AMPS)
							FAN NO. 1	FAN NO. 2		
575A090	208/230-3-60	187	254	160	28.0	1	3.8	-	40.1	60
	460-3-60	414	508	80	14.0	1	1.9	-	20.5	30

SPECIFICATIONS- OUTDOOR UNITS

UNIT	575A090
NOMINAL CAPACITY (tons)	7-1/2
OPERATING WT (lb)	540
REFRIGERANT (R-22) Operating Charge (lb)*	19.5
COMPRESSOR Cylinders Rpm Oil Charge (pt) (ea)	06DA818 4 1750 5.5
OUTDOOR FANS Discharge Qty Rpm Blade Diameter (in.) Motor Hp Cfm kW	Propeller Type Vertical 1 1100 26 3/4 6500 0.96
OUTDOOR COIL No. of Rows...Fins/in. Face Area (sq ft) Storage Capacity (lb) †	2...17 18.0 16.6

* Based on approximately 25 ft of interconnecting piping. Unit supplied with factory holding charge. Charge unit per charging chart located on unit.

† With condenser 80% full of liquid at 120 F.





Bookmarks Location: <http://www.barkermech.com/index2.htm>

What's Related



residential/ hvac commercial



[residential hvac](#) / [commercial hvac](#) / [about us](#) / [what's new](#)

Welcome to Barker Mechanical Services Inc. Our HVAC firm has been serving the San Francisco Bay Area for over 50 years and provides residential and commercial air conditioning and heating installation, maintenance and repair.

We look forward to serving your heating & cooling needs!

Joe Barker, President

6800 Sierra Court Suite L
Dublin, CA 94568

925-560-0280 phone
925-560-0288 fax

info@barkermech.com email