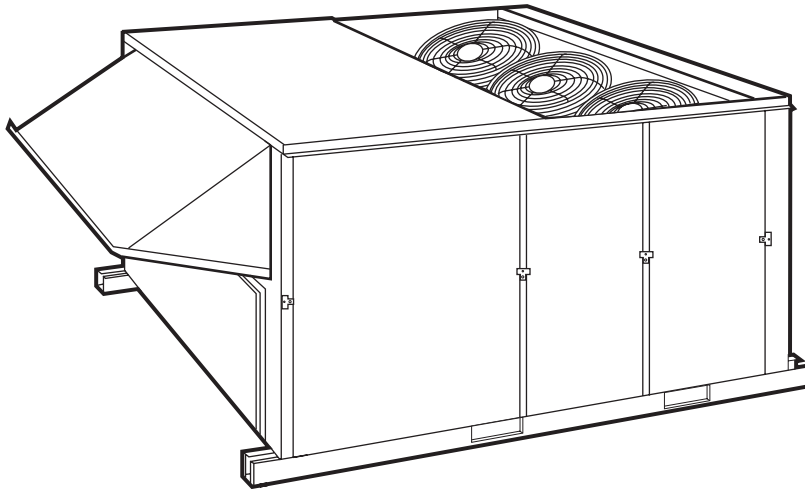


579F SOURCE GUIDE



**579F180 and 216
Models Shown**

Limited Standard Warranty

- Standard One-Year Product Warranty
- One-Year Warranty on the Compressor



579F

**High Efficiency Rooftop
Electric Cooling/Gas Heating
15-25 Tons**

Features and Benefits

- Single 06D Semi-Hermetic Compressor with One Electric Unloader on all 180 Models
- Dual 06D Semi-Hermetic Compressors on Independent Refrigeration Circuits on all 216, 240 and 300 Models
- Compressor Protection Includes High and Low Pressure Cutouts, Overcurrent and Overtemperature Protection
- Freezestat Protection, Crankcase Heaters, and Compressor Circuit-Breaker Protection Provided as Standard
- Compressor Suction and Discharge Service Valves
- Filter Driers are Provided in Each Refrigeration Circuit
- Standard Units can Operate Down to 40°F Outdoor Temperature with all 180 and 216 Models, 25°F with all 240 Models, and 48°F with all 300 Models (0°F and -20°F Low Ambient Kits Available)
- Oversized High Static Capable Motors, Variable Pitch Belt Drives & Dual Centrifugal Evaporator Fans Standard on All Models
- Provision for Alternate Side Return is Standard on all Models
- Horizontal Supply Available by Using Accessory Downflow-to-Horizontal Conversion Adapter. Economizer Can be Used with Horizontal Supply/Return. Power Exhaust and Barometric Relief Must be External to the Unit if Used With Horizontal Supply/Return
- Manually Adjustable Ventilation Air Intake for up to 25% Outside Air. A Rain-Proof Hood Assembly is Standard
- Two-Position 25% Ventilation Air Damper Assembly Powered by a Spring Return Motor is Available as a Factory-Installed Option or Accessory
- Fully Modulating Integrated Economizer with a Spring Return Motor is Available as a Factory-Installed Option or Accessory
- Cabinet Made of Baked Enamel Finish Prepainted Steel and Insulated With Neoprene Coated Fiberglass
- LP Gas Capability
- Integrated Gas Unit Controller (IGC) with Diagnostics
- Solid State Electronic Spark Ignition
- Redundant Gas Valve

**SIZING AND
SELECTION CHART**

Physical Data

MODEL	NOM. TONS	AIR* COOLING PERFORMANCE			HEATING INPUT/OUTPUT (BTUH)		AGA STEADY STATE (%)	STD. CFM	APPROX. SHIPPING WEIGHT (lbs)	SOUND (bels)	DIMENSIONS (inches)		
		BTUH	IPLV	EER	INPUT	OUTPUT					W	H	D
579F-V180	15	178,000	10.7	8.60	230,000	186,300	81	5250	1650	8.8	86 1/8	45	83 1/2
579F-V180	15	178,000	10.7	8.60	300,000	243,000	81	5250	1650	8.8	86 1/8	45	83 1/2
579F-V216	18	190,000	9.2	8.90	275,000	222,750	81	6000	2050	9.0	86 1/8	45	83 1/2
579F-V216	18	190,000	9.2	8.90	360,000	291,600	81	6000	2050	9.0	86 1/8	45	83 1/2
579F-V240	20	222,000	8.8	8.60	275,000	222,750	81	6200	2250	9.5	86 1/8	47 1/4	83 1/2
579F-V240	20	222,000	8.8	8.60	360,000	291,600	81	6200	2250	9.5	86 1/8	47 1/4	83 1/2
579F-V300	25	268,000	8.4	8.50	275,000	222,750	81	7200	2250	9.5	86 1/8	47 1/4	83 1/2
579F-V300	25	268,000	8.4	8.50	360,000	291,600	81	7200	2250	9.5	86 1/8	47 1/4	83 1/2

* Air-Conditioning & Refrigerant Institute.

bels=Sound Levels (1 bel = 10 decibels)

AGA=American Gas Association

EER=Energy Efficiency Ratio

IPLV=Integrated Part-Load Value

NOTES:

1. Rated in accordance with ARI Standard 340/360-93.

2. Ratings are net values, reflecting the effects of circulating fan heat. Ratings are based on Cooling standards of 80°F db, 67°F wb indoor entering-air temperature and 95°F db air entering outdoor unit.





residential/ hvac commercial



[residential hvac](#) / [commercial hvac](#) / [about us](#) / [what's new](#)

Welcome to Barker Mechanical Services Inc. Our HVAC firm has been serving the San Francisco Bay Area for over 50 years and provides residential and commercial air conditioning and heating installation, maintenance and repair.

We look forward to serving your heating & cooling needs!

Joe Barker, President

6800 Sierra Court Suite L
Dublin, CA 94568

925-560-0280 phone
925-560-0288 fax

info@barkermech.com email