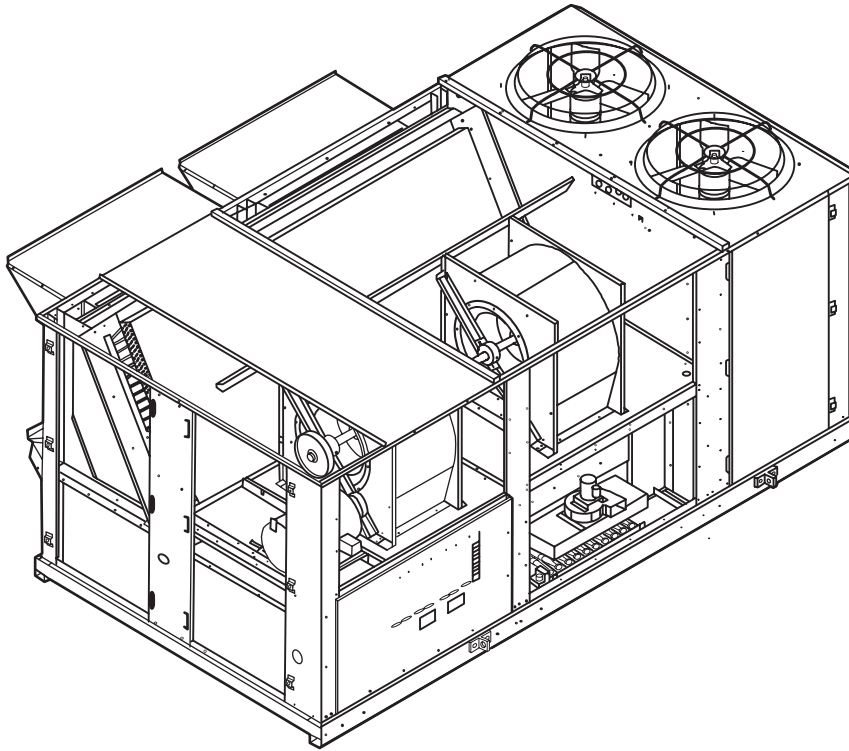


580G/H SOURCE GUIDE



580G/H **Standard Efficiency** **Electric Cooling/Gas Heating** **Rooftop Units** **20-30 Tons**



580G/H240-360

Features and Benefits

- Large Hinged Access Panels
- Dual Semi-Hermetic Carlyle Compressors
- Fixed Blower Drive
- Lifting Lugs
- Dual Refrigerant Circuits
- Sloped, Aluminized Steel Condensate Pans
- Integrated Economizer with Direct Drive Actuator
- Pre-Painted Galvanized Steel Panels
- Low Outdoor Temperature Cooling to 35°F as Standard
- Two-Stage Cooling
- Anti-Microbial, Tuff Skin Rx Insulation
- Single Point Electrical Connection
- Stand Alone Diagnostic
- Solid State Controls
- Two-Inch Disposable-Type Return Air Filters
- 1-Year Product Warranty
- Optional 4-Year Compressor Warranty
- Alternate Supply Fan Motor Options
- 5-Year Non Pro Rated Warranty on Heat Exchangers
- Aluminized Steel Tubular Heat Exchangers
- Induced Draft Combustion
- Two-Stage Gas Valves with Redundant 100% Shut Off
- Integrated Gas Unit Controller (IGC) with Diagnostics

Physical Data

580G VERTICAL SUPPLY AND RETURN

MODEL	NOM. TONS	ARI* COOLING PERFORMANCE		HEATING INPUT/OUTPUT (BTUH)		AGA STEADY STATE (%)	NOMINAL CFM	DIMENSIONS (INCHES)			WEIGHT
		BTUH	EER	INPUT	OUTPUT			W	H	D	
580G-V240	20	254,000	10.30	350,000	283,500	81	8000	88 1/4	73 1/4	165 1/4	4176
580G-V240	20	254,000	10.30	525,000	425,250	81	8000	88 1/4	73 1/4	165 1/4	4256
580G-V300	25	302,000	9.60	350,000	283,500	81	10000	88 1/4	73 1/4	165 1/4	4262
580G-V300	25	302,000	9.60	525,000	425,250	81	10000	88 1/4	73 1/4	165 1/4	4342
580G-V324	27	337,000	8.70	350,000	283,500	81	11000	88 1/4	73 1/4	165 1/4	4262
580G-V324	27	337,000	8.70	525,000	425,250	81	11000	88 1/4	73 1/4	165 1/4	4342
580G-V360	30	373,000	8.50	350,000	283,500	81	12000	88 1/4	73 1/4	165 1/4	4262
580G-V360	30	373,000	8.50	525,000	425,250	81	12000	88 1/4	73 1/4	165 1/4	4342

*Air-Conditioning & Refrigeration Institute.

EER=Energy Efficiency Ratio

AGA=America Gas Association

NOTES:

1. Rated in accordance with ARI Standard 340/360-93.

2. Ratings are net values, reflecting the effects of circulating fan heat. Ratings are based on Cooling standard or 80°F db, 67°F wb indoor entering-air temperature and 95°F db air entering outdoor unit.

580H VERTICAL SUPPLY AND RETURN

MODEL	NOM. TONS	ARI* COOLING PERFORMANCE		HEATING INPUT/OUTPUT (BTUH)		AGA STEADY STATE (%)	NOMINAL CFM	DIMENSIONS (INCHES)			WEIGHT
		BTUH	EER	INPUT	OUTPUT			W	H	D	
580H-V240	20	254,000	10.30	350,000	283,500	81	8000	88 1/4	73 1/4	165 1/4	4176
580H-V240	20	254,000	10.30	525,000	425,250	81	8000	88 1/4	73 1/4	165 1/4	4256
580H-V300	25	302,000	9.60	350,000	283,500	81	10000	88 1/4	73 1/4	165 1/4	4262
580H-V300	25	302,000	9.60	525,000	425,250	81	10000	88 1/4	73 1/4	165 1/4	4342
580H-V324	27	337,000	8.70	350,000	283,500	81	11000	88 1/4	73 1/4	165 1/4	4262
580H-V324	27	337,000	8.70	525,000	425,250	81	11000	88 1/4	73 1/4	165 1/4	4342
580H-V360	30	373,000	8.50	350,000	283,500	81	12000	88 1/4	73 1/4	165 1/4	4262
580H-V360	30	373,000	8.50	525,000	425,250	81	12000	88 1/4	73 1/4	165 1/4	4342

*Air-Conditioning & Refrigeration Institute.

EER=Energy Efficiency Ratio

AGA=America Gas Association

NOTES:

1. Rated in accordance with ARI Standard 340/360-93.

2. Ratings are net values, reflecting the effects of circulating fan heat. Ratings are based on Cooling standard or 80°F db, 67°F wb indoor entering-air temperature and 95°F db air entering outdoor unit.





residential/ hvac commercial



[residential hvac](#) / [commercial hvac](#) / [about us](#) / [what's new](#)

Welcome to Barker Mechanical Services Inc. Our HVAC firm has been serving the San Francisco Bay Area for over 50 years and provides residential and commercial air conditioning and heating installation, maintenance and repair.

We look forward to serving your heating & cooling needs!

Joe Barker, President

6800 Sierra Court Suite L
Dublin, CA 94568

925-560-0280 phone
925-560-0288 fax

info@barkermech.com email