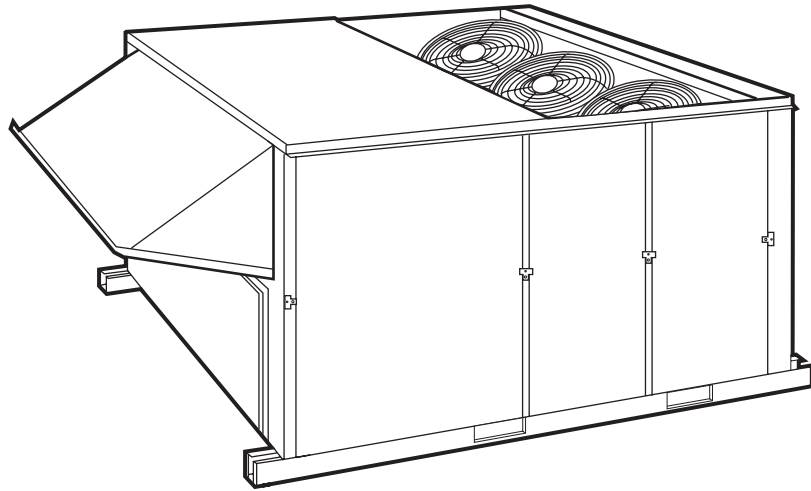


581A SOURCE GUIDE



**581A155 and 180
Models Shown**

Limited Standard Warranty

- Standard One-Year Product Warranty
- Five-Year Warranty on the Compressor (155,180)
- One-Year Warranty on the Compressor (240)



581A High Efficiency Rooftop Electric Cooling/Gas Heating 13-20 Tons

Features and Benefits

- Single 06D Semi-Hermetic Compressor with One Electric Unloader on 155 Model
- Dual 06D Semi-Hermetic Compressors on Independent Refrigeration Circuits on all 180 and 240 Models
- Compressor Protection Includes High and Low Pressure Cutouts, Overcurrent and Overtemperature Protection
- Freezestat Protection, Crankcase Heaters, and Compressor Circuit-Breaker Protection Provided as Standard
- Compressor Suction and Discharge Service Valves
- Filter Driers are Provided in Each Refrigeration Circuit
- Standard Units can Operate Down to 35°F Outdoor Temperature (0°F and -20°F Low Ambient Kits Available)
- Oversized High Static Capable Motors, Variable Pitch Belt Drives & Dual Centrifugal Evaporator Fans Standard on all Models
- Provision for Alternate Side Return is Standard on all Models
- Horizontal Supply Available by Using Accessory Downflow-to Horizontal Conversion Adapter. Economizer Can be Used with Horizontal Supply/Return. Power Exhaust and Barometric Relief Must be External to the Unit if Used with Horizontal Supply/Return
- Manually Adjustable Ventilation Air Intake for up to 25% Outside Air. A Rain-Proof Hood Assembly is Standard
- Two-Position 25% Ventilation Air Damper Assembly Powered by a Spring Return Motor is Available as a Factory-Installed Option or Accessory
- Fully Modulating Integrated Economizer with a Spring Return Motor is Available as a Factory-Installed Option or Accessory
- Cabinet Made of Baked Enamel Finish Prepainted Steel and Insulated With Neoprene Coated Fiberglass
- LP Gas Capability
- Integrated Gas Unit Controller (IGC) With Diagnostics
- Solid State Electronic Spark Ignition
- Redundant Gas Valve

**SIZING AND
SELECTION CHART**

Physical Data

MODEL	NOM. TONS	AIR* COOLING PERFORMANCE			HEATING INPUT/OUTPUT (BTUH)		AGA STEADY STATE (%)	NOM. CFM	APPROX. SHIPPING WEIGHT (lbs)	SOUND (bels)	DIMENSIONS (inches)		
		BTUH	IPLV	EER	INPUT	OUTPUT					W	H	D
581A-V155	13	146,000	12.8	10.50	230,000	186,300	81	5000	1650	9.0	86 1/8	45	83 1/2
581A-V155	13	146,000	12.8	10.50	300,000	243,000	81	5000	1650	9.0	86 1/8	45	83 1/2
581A-V180	15	186,000	10.5	10.30	275,000	222,750	81	6000	2050	9.5	86 1/8	45	83 1/2
581A-V180	15	186,000	10.5	10.30	360,000	291,600	81	6000	2050	9.5	86 1/8	45	83 1/2
581A-V240	20	234,000	9.3	9.30	275,000	222,750	81	8000	2250	9.5	86 1/8	47 1/4	83 1/2
581A-V240	20	234,000	9.3	9.30	360,000	291,600	81	8000	2250	9.5	86 1/8	47 1/4	83 1/2

* Air-Conditioning & Refrigerant Institute.

bels=Sound Levels (1 bel = 10 decibels)

AGA=America Gas Association

EER=Energy Efficiency Ratio

IPLV=Integrated Part-Load Value

NOTES:

1. Rated in accordance with ARI Standard 340/360-93.

2. Ratings are net values, reflecting the effects of circulating fan heat. Ratings are based on Cooling standards of 80°F db, 67°F wb indoor entering-air temperature and 95°F° db air entering outdoor unit.





Bookmarks Location: <http://www.barkermech.com/index2.htm>

What's Related

residential/ hvac commercial



[residential hvac](#) / [commercial hvac](#) / [about us](#) / [what's new](#)

Welcome to Barker Mechanical Services Inc. Our HVAC firm has been serving the San Francisco Bay Area for over 50 years and provides residential and commercial air conditioning and heating installation, maintenance and repair.

We look forward to serving your heating & cooling needs!

Joe Barker, President

6800 Sierra Court Suite L
Dublin, CA 94568

925-560-0280 phone
925-560-0288 fax

info@barkermech.com email

