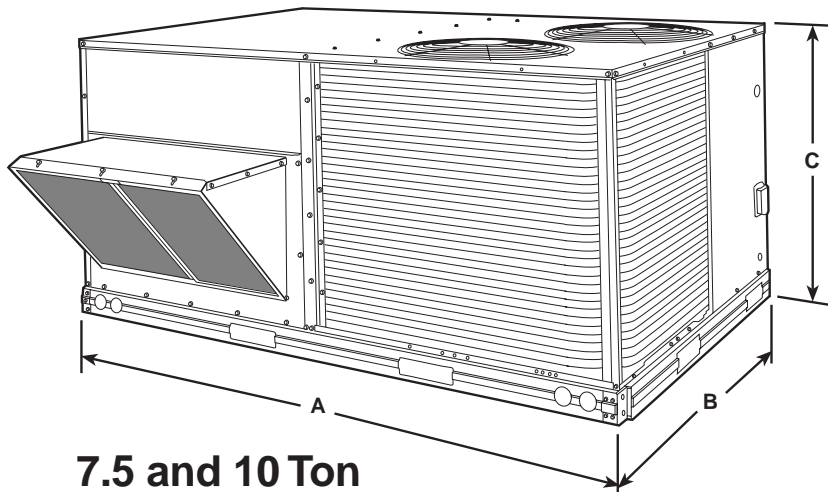
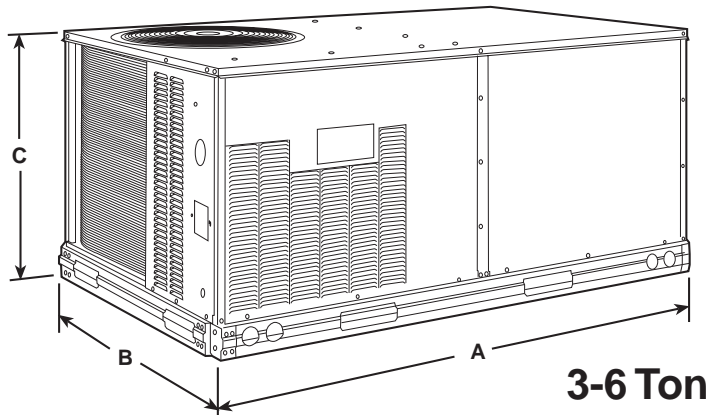


581B SOURCE GUIDE



TONNAGE	A	B	C
3-6	73 11/16	45	33 5/16
7.5 - 8.5	87 3/8	57 3/4	41 5/16
10 - 12.5	87 3/8	57 3/4	49 5/16

Note: All dimensions are in inches



581B High Efficiency Electric/Electric Roof Top Units 3 - 12.5 Tons

Features

- One-Year Parts Warranty with Optional Extensions
- Five-Year Warranty on the Motor-Compressor
- Ten-Year Non-Prorated Warranty on Alumagard™ Coated Tubular Heat Exchanger with Optional Extensions
- Units are Listed by UL and UL, Canada, Certified by ARI
- Downflow to Horizontal Convertible for Curb or Slab Mounting
- Exclusive Cycle-LOC™ Anti-Compressor Cycle Protection
- Standard SEER's up to 13.0 EER's to 11.0
- Scroll Compressors with Internal Linebreak Overload Protection
- Single Compressor on 3-6 Ton Sizes
- Dual Compressor on 7-1/2 - 12-1/2 Ton Sizes
- Tool-Less Filter Access Door
- Copper Tube Aluminum Fin Coils with Optional Corrosion Resistant Coils
- Refrigerant Filter Drier
- Low-Pressure/Loss of Charge, Freeze Protection, and High-Pressure Switches on all Units
- Fully Insulated Cabinet
- Pre-Painted Exterior Panels and Primer Coated Interior Panels Tested to 500 Hour Salt Spray Protection
- Belt Drive Evaporator-Fan Motors with Adjustable Pulleys
- Permanently Lubricated Evaporator Fan Motor
- Acutrol™ Refrigerant Metering System
- Single Point Electric Connections
- Thru-the-Bottom Power Entry Capability Standard
- Two-Inch Disposable Return Air Filters
- 24-Volt Control Circuit Protected with Resettable Circuit Breaker
- Exclusive Non-Corrosive, Composite Condensate Pan in Accordance with ASHRAE 62-Standard, Sloping Design. Provides Side or Center Drain
- Induced Draft Combustion
- Solid-State Electronic Direct Spark Ignition System (Pilotless System)
- Redundant Gas Valves, with Two-Stage Heating
- Flame Roll-Out Safety Protector
- Automatic Changeover when used with Auto-Changeover Thermostat
- Low Outdoor Temperature Cooling Operation to 25 F
- Condenser Motors are Totally Enclosed with Permanently Lubricated Bearings
- Industry Exclusive IGC Solid-State Control. IGC Provides Full On-Board Diagnostics with Flashing LED for Error Code
- Designation, Sophisticated Induced Draft Fan and Burner Control Logic as well as an Energy Saving Indoor Fan Motor Delay
- Full Perimeter Heavy Gauge Base Rail with Built-In Rigging Adapters and Fork Truck Slots
- Run Tested with Performance Printout Provided with Each Unit

**SIZING AND
SELECTION CHART**

581B GAS/ELECTRIC

MODEL NUMBER	NOMINAL TONS	NET COOLING BTUH	*SEER/ EER	STANDARD CFM	EVAPORATOR MOTOR TYPE	SOUND RATING (Bels)	OPERATING WEIGHT (Lbs.)	HEATING INPUT BTU	# HEATING STAGES	AFUE %
581B036072	3	36000	13	1200	BELT	7.6	564	72000	2	82
581B036115	3	36000	13	1200	BELT	7.6	564	115000	2	80
581B048072	4	47000	13	1450	BELT	7.6	574	72000	2	82
581B048115	4	47000	13	1450	BELT	7.6	574	115000	2	81
581B048150	4	47000	13	1450	BELT	7.6	574	150000	2	80
581B060072	5	60000	13	1750	BELT	8	594	72000	2	82
581B060115	5	60000	13	1750	BELT	8	594	115000	2	81
581B060150	5	60000	13	1750	BELT	8	594	150000	2	80
581B072072	6	74000	11	2100	BELT	8	649	72000	2	82
581B072115	6	74000	11	2100	BELT	8	649	115000	2	81
581B072150	6	74000	11	2100	BELT	8	649	150000	2	80
581B090125	7.5	90000	11	3000	BELT	8.2	914	125000	2	82
581B090180	7.5	90000	11	3000	BELT	8.2	914	180000	2	82
581B090224	7.5	90000	11	3000	BELT	8.2	914	224000	2	82
581B102125	8.5	102000	10.8	3000	BELT	8.2	924	125000	2	82
581B102180	8.5	102000	10.8	3000	BELT	8.2	924	180000	2	82
581B102224	8.5	102000	10.8	3000	BELT	8.2	924	224000	2	82
581B120180	10	120000	11	3200	BELT	8.4	1079	180000	2	82
581B120224	10	120000	11	3200	BELT	8.4	1079	224000	2	82
581B120250	10	120000	11	3200	BELT	8.4	1079	250000	2	82
581B150224	12.5	140000	9.9	4300	BELT	8.6	1094	224000	2	82
581B150250	12.5	140000	9.9	4300	BELT	8.6	1094	250000	2	80

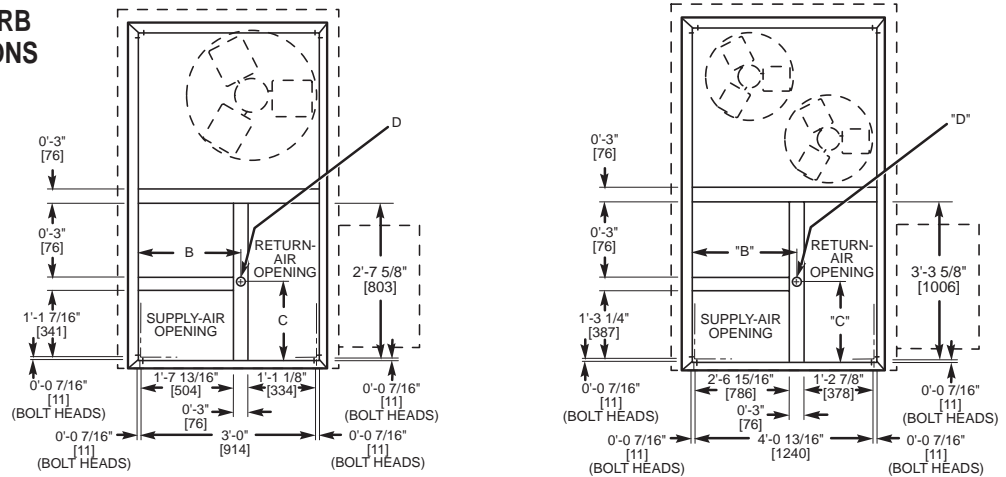
LEGEND

- AFUE - Annual Fuel Utilization Efficiency
- Bels - Sound Levels (1 bel = 10 decibels)
- EER - Energy Efficiency Ratio
- SEER - Seasonal Energy Efficiency Ratio
- *SEER for 3-5 tons, all others rated at EER.

NOTES:

- 1 Heating input shown with all stages activated.
- 2 Operating weights include Durablade economizer.

ROOF CURB DIMENSIONS





residential/ hvac commercial



[residential hvac](#) / [commercial hvac](#) / [about us](#) / [what's new](#)

Welcome to Barker Mechanical Services Inc. Our HVAC firm has been serving the San Francisco Bay Area for over 50 years and provides residential and commercial air conditioning and heating installation, maintenance and repair.

We look forward to serving your heating & cooling needs!

Joe Barker, President

6800 Sierra Court Suite L
Dublin, CA 94568

925-560-0280 phone
925-560-0288 fax

info@barkermech.com email