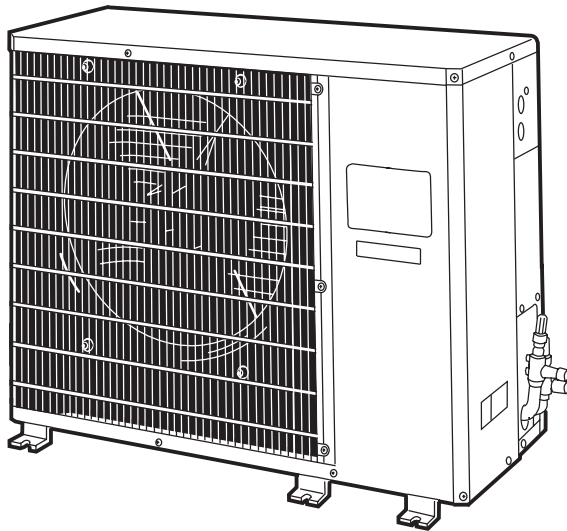
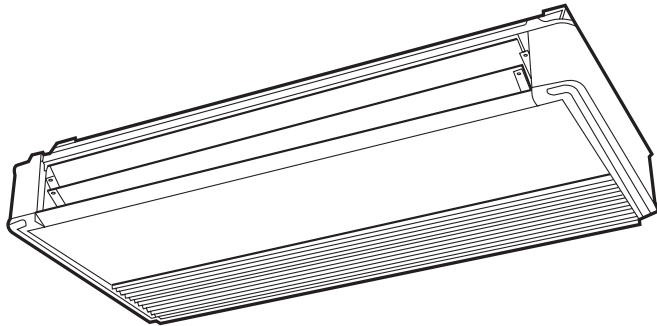


619C/538A/538B SOURCE GUIDE



619C/538A/538B Underceiling Duct-Free Split System 1.5-5 Tons



Features

- 18,000, 24,000, 30,000, 36,000, 48,000 and 60,000 BTU Systems
- Up to 12.0 SEER & 6.8+ HSPF
- Restart Function After Power Failure
- Variable Fresh Air Intake Available
- Streamlined Electronic Thermostat
- Auto Sweep Standard
- Slide-In Filters
- Programmable Thermostat Available
- Accessory Condensate Pump Fits in Unit
- Low Ambient Accessory Available for Cooling-Only Units (-20°F)

Specifications

MODEL		CAPACITY (Btu/h)		SEER	HSPF	POWER SUPPLY		CFM	DIMENSIONS INDOOR (in.)			DIMENSIONS OUTDOOR (in.)			REFRIGERANT TUBING				WEIGHT (lbs)	
															Max Vert Lift (ft)*	Max Tub Lgth (ft)	TUBING OD (in.)			
Indoor	Outdoor	Cooling	Heating			Indoor	Outdoor		W	D	H	W	D	H	Liquid	Gas	Indoor	Outdoor		
COOLING COIL																				
UNDERCEILING																				
619CNX024OEOAC	538ANX018000	18000	—	12.0	—	208/230-1-60	208/230-1-60	500	50.94	23.12	9.94	36.94	14.56	25.12	150	200	3/8	5/8	108.0	150.0
619CNX024OEOAC	538ANX024000	22800	—	12.0	—	208/230-1-60	208/230-1-60	600	50.94	23.12	9.94	36.94	14.56	25.12	150	200	3/8	5/8	108.0	154.0
619CNX036OEOAC	538ANX030000	30000	—	12.0	—	208/230-1-60	208/230-1-60	840	58.81	23.12	9.94	36.94	14.56	25.12	150	200	3/8	3/4	117.0	169.0
619CNX036OEOAC	538ANX036000	34000	—	12.0	—	208/230-1-60	208/230-1-60	840	58.81	23.12	9.94	36.94	14.56	25.12	150	200	3/8	7/8	117.0	179.0
619CNX036OEOAC	538APX036000	34000	—	12.0	—	208/230-1-60	208/230-3-60	840	58.81	23.12	9.94	36.94	14.56	25.12	150	200	3/8	7/8	117.0	179.0
619CNX036OEOAC	538AEX036000	34000	—	12.0	—	208/230-1-60	460-3-60	840	58.81	23.12	9.94	36.94	14.56	25.12	150	200	3/8	7/8	117.0	179.0
619CNX048OEOAC	538ANX048000	47000	—	12.0	—	208/230-1-60	208/230-1-60	1200	71.56	23.12	9.94	44.56	17.06	37.19	150	200	3/8	7/8	149.0	270.0
619CNX048OEOAC	538APX048000	47000	—	12.0	—	208/230-1-60	208/230-3-60	1200	71.56	23.12	9.94	44.56	17.06	37.19	150	200	3/8	7/8	149.0	270.0
619CNX048OEOAC	538AEX048000	47000	—	12.0	—	208/230-1-60	460-3-60	1200	71.56	23.12	9.94	44.56	17.06	37.19	150	200	3/8	7/8	149.0	270.0
619CNX060OEOAA	538ANX060000	58000	—	12.0	—	208/230-1-60	208/230-1-60	1600	92.00	23.12	9.94	44.56	17.06	37.19	150	200	3/8	1 1/8	179.0	290.0
619CNX060OEOAA	538APX060000	58000	—	12.0	—	208/230-1-60	208/230-3-60	1600	92.00	23.12	9.94	44.56	17.06	37.19	150	200	3/8	1 1/8	179.0	290.0
619CNX060OEOAA	538AEX060000	58000	—	12.0	—	208/230-1-60	460-3-60	1600	92.00	23.12	9.94	44.56	17.06	37.19	150	200	3/8	1 1/8	179.0	290.0
HEAT PUMP																				
UNDERCEILING																				
619CNX024OWOAC	538BNX018000	19000	17000	11.0	7.2	208/230-1-60	208/230-1-60	500	50.94	23.12	9.94	36.94	14.56	25.12	150	200	3/8	5/8	110.0	154.0
619CNX024OWOAC	538BNX024000	24000	22600	11.0	7.3	208/230-1-60	208/230-1-60	525	50.94	23.12	9.94	36.94	14.56	25.12	150	200	3/8	5/8	110.0	167.0
619CNX036OWOAC	538BNX030000	30000	28000	11.0	7.4	208/230-1-60	208/230-1-60	870	58.81	23.12	9.94	36.94	14.56	25.12	150	200	3/8	3/4	119.0	180.0
619CNX036OWOAC	538BNX036000	34600	33000	11.5	7.2	208/230-1-60	208/230-1-60	870	58.81	23.12	9.94	36.94	14.56	25.12	150	200	3/8	7/8	119.0	184.0
619CNX036OWOAC	538BPX036000	36000	34400	11.0	6.8	208/230-1-60	208/230-3-60	870	58.81	23.12	9.94	44.56	17.06	37.19	150	200	3/8	3/4	119.0	249.0
619CNX036OWOAC	538BEX036000	36000	34400	11.0	6.8	208/230-1-60	460-3-60	870	58.81	23.12	9.94	44.56	17.06	37.19	150	200	3/8	3/4	119.0	249.0
619CNX048OWOAC	538BNX048000	46000	45500	10.2	7.3	208/230-1-60	208/230-1-60	1100	71.56	23.12	9.94	44.56	17.06	37.19	150	200	3/8	7/8	151.0	252.0
619CNX048OWOAC	538BPX048000	46000	45500	10.2	7.3	208/230-1-60	208/230-3-60	1100	71.56	23.12	9.94	44.56	17.06	37.19	150	200	3/8	7/8	151.0	252.0
619CNX048OWOAC	538BEX048000	46000	45500	10.2	7.3	208/230-1-60	460-3-60	1100	71.56	23.12	9.94	44.56	17.06	37.19	150	200	3/8	7/8	151.0	252.0
619CNX060OWOAA	538BNX060000	58000	57500	11.0	7.4	208/230-1-60	208/230-1-60	1600	92.00	23.12	9.94	44.56	17.06	37.19	150	200	3/8	1 1/8	181.0	272.0
619CNX060OWOAA	538BPX060000	58000	57500	11.0	7.4	208/230-1-60	208/230-3-60	1600	92.00	23.12	9.94	44.56	17.06	37.19	150	200	3/8	1 1/8	181.0	272.0
619CNX060OWOAA	538BEX060000	58000	57500	11.0	7.4	208/230-1-60	460-3-60	1600	92.00	23.12	9.94	44.56	17.06	37.19	150	200	3/8	1 1/8	181.0	272.0



Bookmarks Location: <http://www.barkermech.com/index2.htm>

What's Related

residential/ hvac commercial



[residential hvac](#) / [commercial hvac](#) / [about us](#) / [what's new](#)

Welcome to Barker Mechanical Services Inc. Our HVAC firm has been serving the San Francisco Bay Area for over 50 years and provides residential and commercial air conditioning and heating installation, maintenance and repair.

We look forward to serving your heating & cooling needs!

Joe Barker, President

6800 Sierra Court Suite L
Dublin, CA 94568

925-560-0280 phone
925-560-0288 fax

info@barkermech.com email

