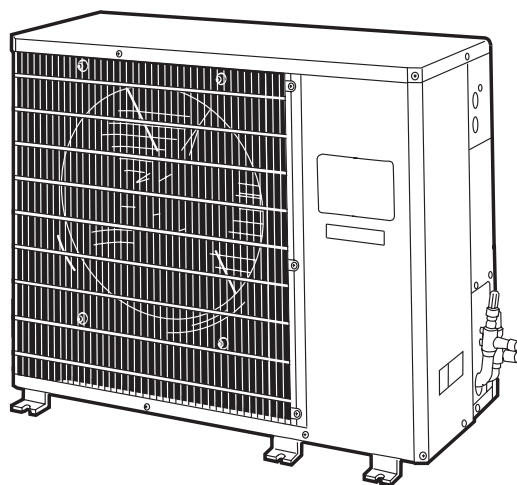
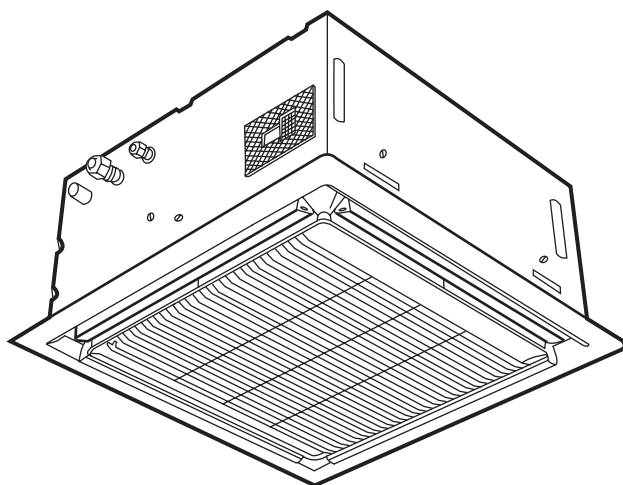


619F/538A/538B SOURCE GUIDE



619F/538A/538B Cassette Duct-Free Split System 1.5-3 Tons



Features

- 18,000, 24,000, 30,000 and 36,000 BTU Systems
- 10+ SEER & 6.8 HSPF
- Sized to Fit Standard Ceiling Tile Openings
- Galvanized Steel Casing
- Sound-Attenuating Insulation
- Streamlined Electronic Thermostat
- Requires Only 12" Plenum Space
- Built-In Condensate Pump
- 3-Speed Fan Control
- User-Controlled Variable 2-Way, 3-Way, or 4-Way Air Distribution
- Optional Power Ventilator
- Branch Ducting for Separate Room Available
- 20% Fresh Air Capability

Specifications

MODEL		CAPACITY (Btu/h)		SEER	HSPF	POWER SUPPLY		CFM	DIMENSIONS INDOOR (in.)			DIMENSIONS OUTDOOR (in.)			REFRIGERANT TUBING				WEIGHT (lbs)	
															Max Vert Lift (ft)*	Max Tub Lgth (ft)	TUBING OD (in.)			
Indoor	Outdoor	Cooling	Heating			Indoor	Outdoor		W	D	H	W	D	H			Liquid	Gas	Indoor	Outdoor
COOLING ONLY																				
CASSETTE																				
619FNX024OEO	538ANX018000	18300	—	11.0	—	208/230-1-60	208/230-1-60	525	26.00	26.00	11.75	36.94	14.56	25.12	150	200	3/8	5/8	61.6	150.0
619FNX036OEO	538ANX024000	24000	—	11.0	—	208/230-1-60	208/230-1-60	915	49.62	26.00	11.75	36.94	14.56	25.12	150	200	3/8	5/8	105.8	154.0
619FNX036OEO	538ANX030000	30000	—	10.8	—	208/230-1-60	208/230-1-60	915	49.62	26.00	11.75	36.94	14.56	25.12	150	200	3/8	3/4	105.8	169.0
619FNX036OEO	538ANX036000	33000	—	10.8	—	208/230-1-60	208/230-1-60	915	49.62	26.00	11.75	36.94	14.56	25.12	150	200	3/8	7/8	105.8	179.0
619FNX036OEO	538APX036000	33000	—	10.8	—	208/230-1-60	208/230-3-60	915	49.62	26.00	11.75	36.94	14.56	25.12	150	200	3/8	7/8	105.8	179.0
619FNX036OEO	538AEX036000	33000	—	10.8	—	208/230-1-60	460-3-60	915	49.62	26.00	11.75	36.94	14.56	25.12	150	200	3/8	7/8	105.8	179.0
HEAT PUMP																				
CASSETTE																				
619FNX024OWO	538BNX018000	18000	17600	10.0	6.8	208/230-1-60	208/230-1-60	525	26.00	26.00	11.75	36.94	14.56	25.12	150	200	3/8	5/8	66.1	154.0
619FNX036OWO	538BNX024000	25000	23800	10.7	7.6	208/230-1-60	208/230-1-60	980	49.62	26.00	11.75	36.94	14.56	25.12	150	200	3/8	5/8	109.6	167.0
619FNX036OWO	538BNX030000	29000	27000	11.5	7.6	208/230-1-60	208/230-1-60	980	49.62	26.00	11.75	36.94	14.56	25.12	150	200	3/8	3/4	109.6	180.0
619FNX048OWO	538BNX036000	33000	33000	10.5	6.8	208/230-1-60	208/230-1-60	1100	49.62	26.00	11.75	36.94	14.56	25.12	150	200	3/8	7/8	118.8	184.0
619FNX048OWO	538BPX036000	34400	34000	10.0	6.8	208/230-1-60	208/230-3-60	1100	49.62	26.00	11.75	36.94	17.17	37.19	150	200	3/8	3/4	118.8	249.0
619FNX048OWO	538BEX036000	34400	34000	10.0	6.8	208/230-1-60	460-3-60	1100	49.62	26.00	11.75	36.94	17.17	37.19	150	200	3/8	3/4	118.8	249.0

*Maximum height difference depends on configuration. Refer to Service & Installation Instructions.



residential/ hvac commercial



[residential hvac](#) / [commercial hvac](#) / [about us](#) / [what's new](#)

Welcome to Barker Mechanical Services Inc. Our HVAC firm has been serving the San Francisco Bay Area for over 50 years and provides residential and commercial air conditioning and heating installation, maintenance and repair.

We look forward to serving your heating & cooling needs!

Joe Barker, President

6800 Sierra Court Suite L
Dublin, CA 94568

925-560-0280 phone
925-560-0288 fax

info@barkermech.com email