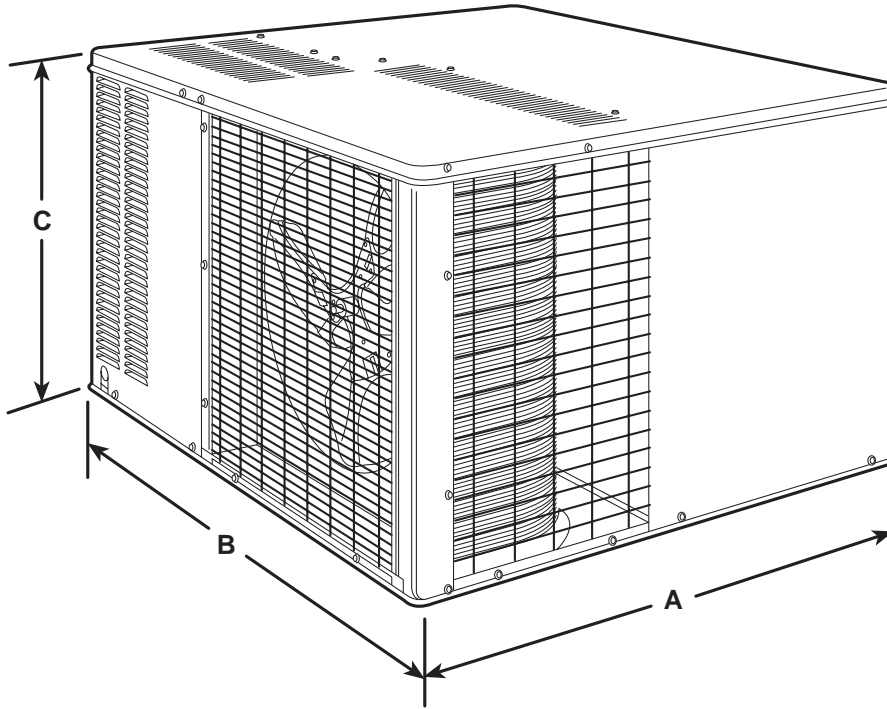


655A SOURCE GUIDE



655A

**Standard Efficiency
Heat Pump Packaged Product
1.5 - 5.0 Tons**



Base Unit Dimensions (Without Base Rail)

MODEL NUMBERS	A	B	C
655A018-030	36.8	43.7	24.1
655A036-042	36.8	43.7	28.1
655A048-060	36.8	43.7	34.1

All dimensions in inches

Features

- 10.0 SEER Heat Pump
- Chronotemp Defrost System
Features Time and Temp. Based Defrost Control
- Liquid Line Strainers
- Warranty - 1 Year Parts, 5 Year Comp.
- Three Speed Direct Drive Indoor Fan Motors
- Foil Faced, Cleanable Insulation
- Non Corrosive Sloped Condensate Pan
- Condenser Coil Grille
- Easy to Convert Packaged Units
- Loss of Charge Switch
- Compressor Time Guard

Factory Options

- Commercial Grade Base Rails
- Factory Converted Vertical Discharge Only - Includes Base Rail
- Copper Fin/Copper Tube Coils
- Technicoat Condenser Coil

Field Accessories

- Electric Heaters
- Roof Curbs
- Low Ambient Kit
- One Inch Filter w/Rack
- 30% Open Manual Outdoor Air Damper
- Electronic Programmable Thermostat
- High Pressure Switch

**SIZING AND
SELECTION CHART**

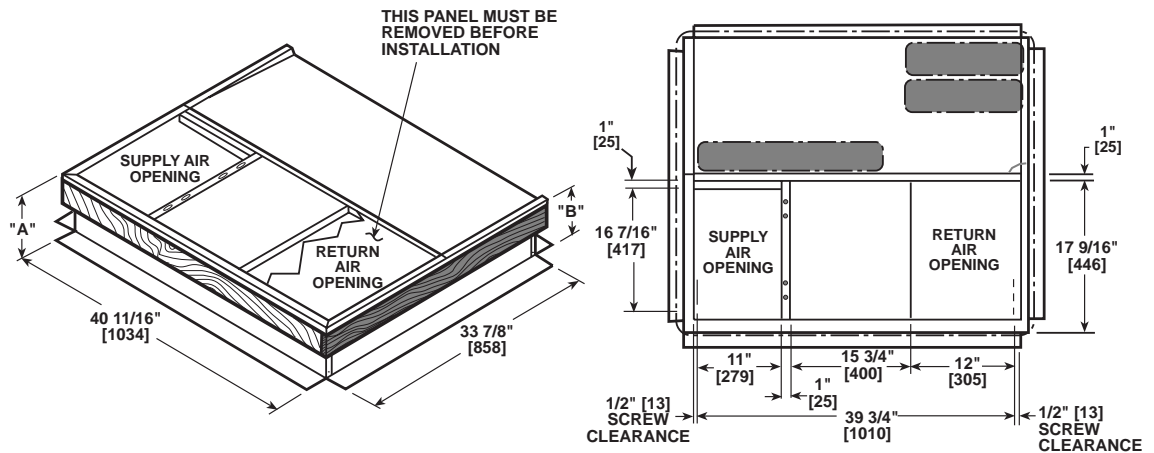
HEAT PUMP

MODEL NUMBER	NOMINAL TONS	STANDARD CFM	OPERATING WEIGHT (lbs)	NET COOLING	
				BTUH	SEER
655A018	1.5	675	300	19,000	10.0
655A024	2.0	750	308	24,000	10.0
655A030	2.5	1000	320	29,000	10.0
655A036	3.0	1270	340	35,600	10.0
655A042	3.5	1400	347	42,000	10.0
655A048	4.0	1575	411	47,000	10.1
655A060	5.0	1995	425	57,500	10.0

MODEL NUMBER	HEATING (HIGH TEMP) AT 47 F			HEATING (LOW TEMP) AT 17 F	
	BTUH	COP	HSPF	BTUH	COP
655A018	17,800	2.9	6.6	9,300	1.7
655A024	23,600	2.9	6.7	12,000	1.8
655A030	29,400	3.0	6.8	15,000	1.8
655A036	35,400	3.1	6.8	17,400	1.8
655A042	40,000	3.0	6.8	20,000	1.9
655A048	47,500	3.1	7.0	27,200	2.0
655A060	57,000	3.2	7.0	32,000	2.0

NOTES: Operating weight does not include base rails.

ROOF CURB DIMENSIONS — 655A





residential/ hvac commercial



[residential hvac](#) / [commercial hvac](#) / [about us](#) / [what's new](#)

Welcome to Barker Mechanical Services Inc. Our HVAC firm has been serving the San Francisco Bay Area for over 50 years and provides residential and commercial air conditioning and heating installation, maintenance and repair.

We look forward to serving your heating & cooling needs!

Joe Barker, President

6800 Sierra Court Suite L
Dublin, CA 94568

925-560-0280 phone
925-560-0288 fax

info@barkermech.com email