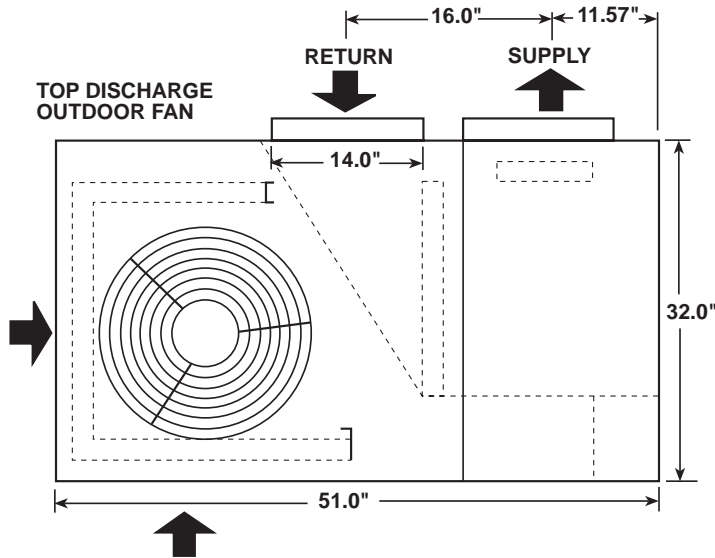
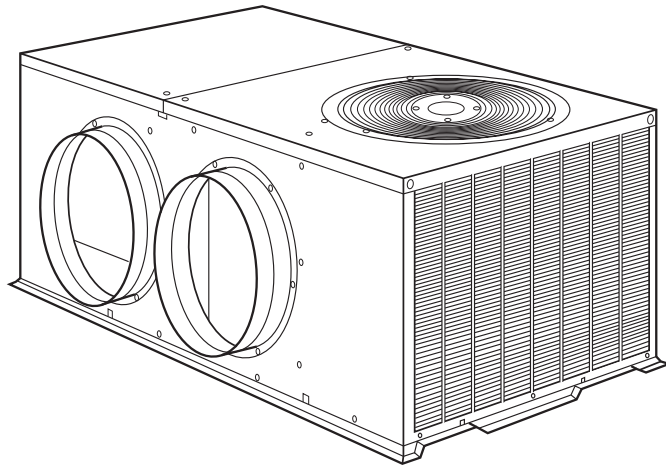


# 664A SOURCE GUIDE



CABINET HEIGHTS						
INCHES	024	030	036	042	048	060
22	X	X	X			
30				X	X	
34						X



## 664A Standard Efficiency Packaged Heat Pump 2 - 5 Tons

### Features

- Easy Installation Design
- Starter Collars
- Drop-in Electric Heaters
- Single-Point Hook-Up
- One Foot Print
- Built-in Hand Holds
- Dedicated Side Discharge
- Light-Weight Construction
- Weather Armor Cabinet
- Corrosion Proof Base Pan
- Sloped Drain Pan
- Through-the-Top Service
- 2-5 Year Extended Warranty

### Field Accessories

- Electric Heaters
- Thermostats Programmable
- Non-Programmable
- High Pressure Switch

## Performance Data

UNIT	NET COOLING CAPACITY	SEER	NET HEATING CAPACITY	HSPF	SOUND RATING (Bels)	APPROX. SHIP WT. (lbs)
664A024	22,800	10	21,800	6.8	7.8	232
664A030	28,600	10	27,400	6.8	8.4	254
664A036	34,400	10	33,400	6.8	8.0	277
664A042	40,000	10	37,000	6.8	8.0	295
664A048	45,500	10	42,500	6.8	8.2	328
664A060	55,000	10	52,500	6.8	8.4	368

## Electrical Data

UNIT 664A	NOMINAL V-PH-Hz	IFM TYPE	VOLTAGE RANGE		COMPRESSOR		OFM FLA	IFM FLA	HEATER PACKAGE NO.	ELECTRIC HEAT		POWER SUPPLY		DISCONNECT SIZE	
			Min	Max	RLA	LRA				NOMINAL kW*	FLA	MCA	MOCP	FLA	LRA
024	208/230-1-60	Std	187	254	12.8	63.0	0.9	2.4	None	-	-	19.3/19.3	25/25†	19/19	70/70
									CPHEATER026A00	3.8/5.0	18.3/20.8	42.2/54.3	45/50†	40/42	89/91
									CPHEATER024A00	7.5/10.0	36.1/41.7	64.4/71.4	70/80	60/66	107/112
030	208/230-1-60	Std	187	254	14.4	73.0	1.5	2.4	None	-	-	21.9/21.9	30/80†	21/21	83/83
									CPHEATER026A00	3.8/5.0	18.3/20.8	44.8/47.9	45/50†	42/45	101/103
									CPHEATER024A00	7.5/10.0	36.1/41.7	67.0/74.0	70/80	63/69	119/124
030	208/230-3-60	Std	187	254	10.0	63.0	1.5	5.8	None	-	-	16.8	20†	16	73
									CPHEATER029A00	3.8/5.0	10.5/12.0	29.9/31.8	35/35†	29/30	83/85
									CPHEATER024A00	7.5/10.0	20.8/24.1	42.8/46.9	45/50†	40/44	93/97
030	208/230-3-60	Std	187	254	10.0	63.0	1.5	5.8	CPHEATER031A00	11.3/15.0	31.4/36.1	56.1/61.9	60/70	53/58	104/109
									None	-	-	26.4/26.4	35/35†	25/25	103/103
									CPHEATER026A00	3.8/5.0	18.3/20.8	49.3/52.4	50/60†	46/49	121/123
036	208/230-1-60	Std	187	254	17.7	93.0	1.5	2.8	CPHEATER024A00	7.5/10.0	36.1/41.7	71.6/78.6	80/80	67/73	139/144
									CPHEATER040A00	11.3/15.0	54.3/62.5	94.3/104.6	100/110	88/97	157/165
									None	-	-	17.2/17.2	20/20†	17/17	87/87
036	208/230-3-60	Std	187	254	10.3	77.0	1.5	2.8	CPHEATER029A00	3.8/5.0	10.5/12.0	30.3/32.2	35/35†	29/31	97/99
									CPHEATER024A00	7.5/10.0	20.8/24.1	43.2/47.3	45/50†	41/45	107/111
									CPHEATER031A00	11.3/15.0	31.4/36.1	56.4/62.3	60/70	53/58	118/123
036	460-3-60	Std	414	508	5.7	39.0	0.8	2.0	None	-	-	9.9	15†	10	46
									CPHEATER034A00	5.0	6.0	17.4	20†	17	52
									CPHEATER035A00	10.0	12.0	24.0	25†	24	58
042	208/230-1-60	Std	187	254	21.5	103.0	1.5	2.8	CPHEATER036A00	18.0	18.0	32.4	35†	30	64
									None	-	-	31.2/31.2	40/40†	30/30	113/113
									CPHEATER026A00	3.8/5.0	18.3/20.8	54.1/57.2	60/60†	51/54	131/133
042	208/230-3-60	Std	187	254	12.4	88.0	1.5	2.8	CPHEATER030A00	7.5/10.0	36.1/41.7	76.3/83.3	80/90	71/78	149/154
									CPHEATER040A00	11.3/15.0	54.3/62.5	99.1/109.3	100/110	92/102	167/175
									CPHEATER028A00	15.0/20.0	72.1/83.3	121.3/135.3	125/150	113/125	185/196
042	460-3-60	Std	414	508	6.8	44.0	0.8	2.0	None	-	-	11.3	15†	11	51
									CPHEATER034A00	5.0	6.0	18.8	20†	18	57
									CPHEATER035A00	10.0	12.0	26.3	30†	25	63
048	208/230-1-60	Std	187	254	28.2	129.0	1.5	4.2	CPHEATER036A00	15.0	18.0	33.8	35†	32	89
									CPHEATER037A00	20.0	24.1	41.4	45†	39	75
									None	-	-	40.0/41.0	50/50†	39/39	143/143
048	208/230-3-60	Std	187	254	13.5	99.0	1.5	4.2	CPHEATER038A00	3.8/5.0	18.3/20.8	63.8/67.0	70/70	60/63	161/163
									CPHEATER024A00	7.5/10.0	36.1/41.7	86.1/93.1	90/100	81/87	179/184
									CPHEATER040A00	11.3/15.0	54.3/62.5	108.8/119.1	110/125	101/111	197/205
048	460-3-60	Std	414	508	8.2	129.0	0.8	4.2	CPHEATER028A00	15.0/20.0	72.1/83.3	131.1/145.1	150/150	122/135	215/226
									None	-	-	22.6/22.6	30/30†	22/22	113/113
									CPHEATER029A00	3.8/5.0	10.5/12.0	35.7/37.6	40/40†	34/36	123/125
060	208/230-1-60	Std	187	254	27.7	170.0	3.1	6.2	CPHEATER030A00	7.5/10.0	36.1/41.7	89.1/96.1	90/100	84/91	228/233
									CPHEATER040A00	11.3/15.0	54.3/62.5	111.8/122.1	125/125	105/114	246/254
									CPHEATER028A00	15.0/20.0	72.1/83.3	134.1/148.1	150/150	125/138	264/275
060	208/230-3-60	Std	187	254	15.9	124.0	3.1	6.2	None	-	-	29.2/29.2	35/35†	29/29	146/146
									CPHEATER029A00	3.8/5.0	10.5/12.0	42.3/44.2	45/45†	41/43	156/158
									CPHEATER030A00	7.5/10.0	20.8/24.1	55.2/59.3	60/60†	53/57	167/170
060	460-3-60	Std	414	508	8.0	60.0	1.5	3.2	CPHEATER031A00	11.3/15.0	31.4/36.1	68.4/74.3	70/80	65/70	177/182
									CPHEATER041A00	14.9/19.9	41.4/47.9	80.9/89.1	90/90	77/84	187/194
									None	-	-	14.7	20†	15	68
060	460-3-60	Std	414	508	8.0	60.0	1.5	3.2	CPHEATER034A00	5.0	6.0	22.2	25†	22	74
									CPHEATER035A00	10.0	12.0	29.7	30†	28	80
									CPHEATER036A00	15.0	18.0	37.2	40†	35	86
060	460-3-60	Std	414	508	8.0	60.0	1.5	3.2	CPHEATER037A00	20.0	24.1	44.8	45†	42	93

**LEGEND**  
 FLA - Full Load Amps  
 HACR - Heating, Air Conditioning and Refrigeration  
 IFM - Indoor-Fan Motor  
 LRA - Locked Rotor Amps  
 MCA - Minimum Circuit Amps  
 MOCP - Maximum Overcurrent Protection

NEC - National Electrical Code  
 OFM - Outdoor-Fan Motor  
 RLA - Rated Load Amps

\* Heater capacity (kW) is based on heater voltage of 208v, 240v, or 480v. If power distribution voltage to unit varies from rated heater voltage, heater kW will vary accordingly.  
 † Fuse or HACR circuit breaker.



# residential/ hvac commercial



[residential hvac](#) / [commercial hvac](#) / [about us](#) / [what's new](#)

Welcome to Barker Mechanical Services Inc. Our HVAC firm has been serving the San Francisco Bay Area for over 50 years and provides residential and commercial air conditioning and heating installation, maintenance and repair.

We look forward to serving your heating & cooling needs!

*Joe Barker*, President

6800 Sierra Court Suite L  
Dublin, CA 94568  
  
925-560-0280 phone  
925-560-0288 fax  
  
[info@barkermech.com](mailto:info@barkermech.com) email